

Job Name/Location:

Tag No.:

Date:

|      |          |            |
|------|----------|------------|
| For: | File     | Resubmit   |
|      | Approval | Other_____ |

PO No.:



Architect: GC:

Engr: Mech:

Rep: (Company) (Project Manager)



## LS303HLV3

Single Zone Extended Piping Wall Mount

Outdoor Unit (ODU) - LSU303HLV3, Indoor Unit (IDU) - LSN303HLV3

### Performance:

#### Cooling:

|  |                     |
|--|---------------------|
| Cooling Capacity (Min~Rated~Max) (Btu/h) | 3,070~30,000~34,000 |
| SEER2                                    | 20.5                |
| EER2                                     | 11.3                |

SEER - Seasonal Energy Efficiency Ratio EER - Energy Efficiency Ratio

#### Heating:

|  |                     |
|--|---------------------|
| Heating Capacity (Min~Rated~Max) (Btu/h) | 3,070~32,400~38,900 |
| HSPF2                                    | 7.9                 |
| Max. Heating @ Indoor 70°F DB            |                     |
| Outdoor 19°F DB / 17°F WB                | 32,500 (100%)       |
| Outdoor 6°F DB / 5°F WB                  | 28,080 (88%)        |
| Outdoor -3°F DB / -4°F WB                | 24,390 (75%)        |

HSPF - Heating Seasonal Performance Factor

Cooling Nominal Test Conditions:

Indoor: 80°F DB / 67°F WB

Outdoor: 95°F DB / 75°F WB

Heating Nominal Test Conditions:

Indoor: 70°F DB / 60°F WB

Outdoor: 47°F DB / 43°F WB

#### Outdoor Unit:

|                                  |       |
|----------------------------------|-------|
| MOP (A)                          | 30    |
| MCA (A)                          | 23    |
| Cooling / Heating Rated Amps (A) | 15.35 |
| Compressor (A)                   | 15.1  |
| Fan Motor (A)                    | 0.25  |

MOP - Maximum Overcurrent Protection

MCA - Minimum Circuit Ampacity

#### Total Power Input:

|                          |      |
|--------------------------|------|
| Cooling Power Input (kW) | 2.66 |
| Heating Power Input (kW) | 2.75 |

#### Piping:

|  |            |
|--|------------|
| Liquid Line (in., O.D.)                    | ø3/8 Flare |
| Vapor Line (in., O.D.)                     | ø5/8 Flare |
| Additional Refrigerant (oz./ft.)           | 0.38       |
| Min. / Max. Pipe Length (ft.) <sup>2</sup> | 9.8 / 164  |
| Piping Length (no add'l refig., ft.)       | 24.6       |
| Max. Elevation (ft.)                       | 98.4       |

#### Features:

- 24-Hour on/off timer
- 4-Way auto swing
- Auto changeover
- Auto restart
- Jet cool/Jet heat
- Built-in low ambient standard, down to 14°F (cooling mode)
- Condensate Sensor Connection
- Inverter (variable speed compressor)
- Smart Diagnosis
- Washable Filter
- Self-cleaning indoor coil
- Built-in base pan heater
- Built-in Wi-Fi via Smart ThinQ app

#### Optional Accessories:

- Low Ambient Wind Baffle (Cooling operation to 0°F) - ZLABGP04A
- Simple Remote Controller - PREMT00U
- Std III Remote Controller (White / Black)-PREMTB100 / PREMTBB10
- MultiSITE™ CRC\* - PREMTBVC2/C3/C4
- MultiSITE Comm. Mgr. - PBACNBTR0A
- PI-485 - PMNFP14A1
- Dry Contact - PDRYCB100/320/400
- AC Smart 5 - PACSSA000
- ACP 5 BACnet Gateway-PACP5A000
- LonWorks® Gateway-ZHWLONWK0

### Operating Range:

#### Outdoor Unit:

|                 |          |
|-----------------|----------|
| Cooling (°F DB) | 14 ~ 118 |
| Heating (°F WB) | -4 ~ +65 |

#### Indoor Unit:

|                 |         |
|-----------------|---------|
| Cooling (°F WB) | 53 ~ 75 |
| Heating (°F DB) | 64 ~ 86 |

### Electrical:

|                       |              |
|-----------------------|--------------|
| Power Supply (V/Hz/ø) | 208-230/60/1 |
|-----------------------|--------------|

### System Data:

|   |                   |
|---|-------------------|
| Refrigerant Type  | R410A             |
| Refrigerant Control   | EEV               |
| Refrigerant Charge (lbs.)   | 5.291             |
| ODU Sound Pressure (Cooling / Heating) (±1 dB[A]) <sup>3</sup>      | 55 / 58           |
| IDU Sound Pressure (Cooling (H/M/L/Sleep) (±1 dB[A]) <sup>3</sup> ) | 51 / 47 / 43 / 33 |
| Heating (H/M/L) (±1 dB[A]) <sup>3</sup>                             | 51 / 47 / 43      |
| ODU Net / Shipping Weight (lbs.)                                    | 147.9 / 160.3     |
| IDU Net / Shipping Weight (lbs.)                                    | 40.8 / 48.9       |
| Heat Exchanger Coating  | GoldFin™          |

### Fan:

|   |                                       |
|---|---------------------------------------|
| ODU Type                                | Propeller                             |
| IDU Type                                | Cross Flow                            |
| Fan Speeds (Fan/Cool/Heat)              | 6 / 6 / 6                             |
| Quantity (ODU + IDU)                    | 1 + 1                                 |
| Motor/Drive                             | Brushless Digitally Controlled/Direct |
| ODU Max. Air Flow Rate (CFM)            | 2,295                                 |
| IDU Air Flow (Cooling, Max/H/M/L (CFM)) | 1,095 / 883 / 742 / 601               |
| Heating, Max/H/M/L (CFM)                | 1,166 / 954 / 813 / 671               |
| Dehumidification (pts./hr.)             | 5.49                                  |

### Notes:

1. Acceptable operating voltage: 187V-253V.
2. Piping lengths are equivalent.
3. Sound Pressure levels are tested in an anechoic chamber under ISO Standard 3745.
4. All communication / connection (power) cable from the outdoor unit to the indoor unit is field supplied and must be a minimum of four-conductor, 14 AWG, stranded, shielded or unshielded (if shielded, it must be grounded to the chassis of the outdoor unit only), and must comply with applicable local and national codes.
5. See Engineering Manual for sensible and latent capacities.
6. Power wiring cable size must comply with the applicable local and national code.
7. The indoor unit comes with a dry helium charge.
8. This data is rated 0 ft. above sea level, with 24.6 ft. of refrigerant line and a 0 ft. level difference between outdoor and indoor units.
9. Must follow installation instructions in the applicable LG installation manual.



For a complete list of available accessories, contact your LG representative.

For continual product development, LG reserves the right to change specifications without notice.

© LG Electronics U.S.A., Inc., Englewood Cliffs, NJ. All rights reserved. "LG Life's Good" is a registered trademark of LG Corp. /www.lghvac.com

SB\_SZ\_WM\_ExtendedPiping\_LS303HLV3\_2024\_01\_31\_131319

Page 1 of 3

Job Name/Location: \_\_\_\_\_

# LS303HLV3

## Single Zone Extended Piping Wall Mount

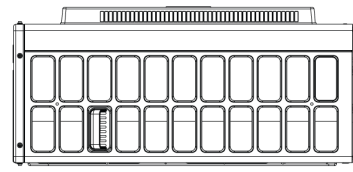
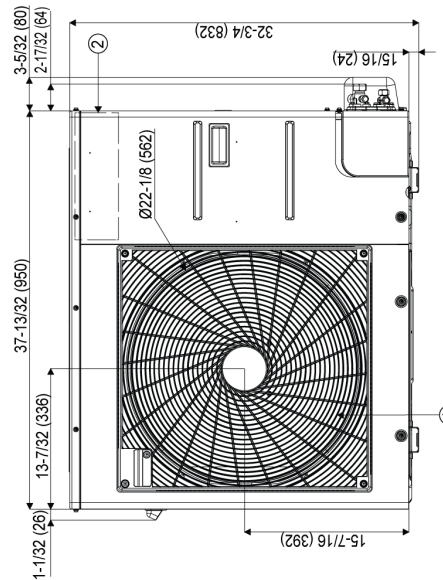
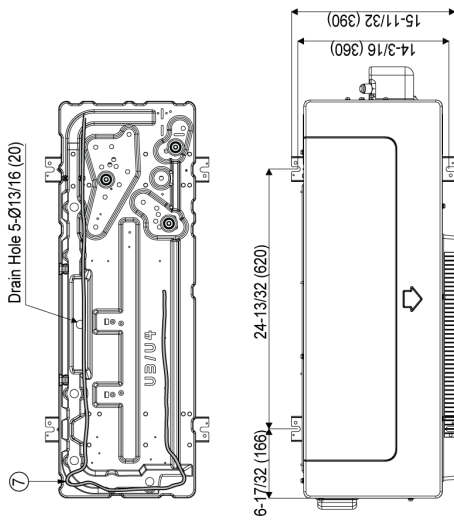
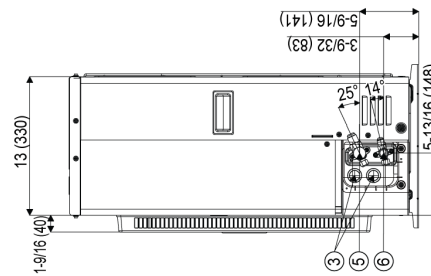
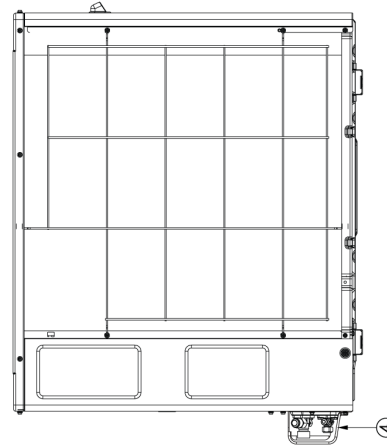
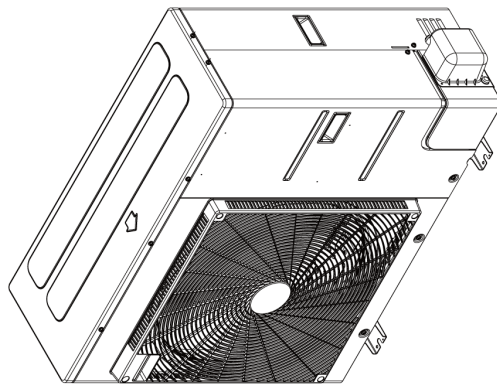
Outdoor Unit (ODU) - LSU303HLV3, Indoor Unit (IDU) - LSN303HLV3



Tag No.: \_\_\_\_\_

Date: \_\_\_\_\_

PO No.: \_\_\_\_\_



| No | Name                               | Description |
|----|------------------------------------|-------------|
| 7  | Sump Heater                        |             |
| 6  | Liquid Pipe Connection             | Flare Joint |
| 5  | Gas Pipe Connection                | Flare Joint |
| 4  | Service Valve Cover                |             |
| 3  | Power and Communication Cable Hole |             |
| 2  | Control Box                        |             |
| 1  | Air Outlet                         |             |

Unit : inch (mm)

# LS303HLV3

Single Zone Extended Piping Wall Mount

Outdoor Unit (ODU) - LSU303HLV3, Indoor Unit (IDU) - LSN303HLV3



Tag No.: \_\_\_\_\_

Date: \_\_\_\_\_

PO No.: \_\_\_\_\_

