

Job Name/Location:

Tag #:

Date:

For:	File	Resubmit
	Approval	Other

PO No.:

Architect: _____ GC: _____

Engr: _____ Mech: _____

Rep: _____
(Company) (Project Manager)



LS180HEV2

Single Zone Mega Wall Mounted

Outdoor Unit (ODU) - LSU180HEV2, Indoor Unit (IDU) - LSN180HEV2

Performance:

Cooling:

Cooling Capacity (Min~Rated~Max) (Btu/h)	3,685 ~ 18,000 ~ 18,493
SEER2	19
EER2	12

SEER - Seasonal Energy Efficiency Ratio EER - Energy Efficiency Ratio

Heating:

Heating Capacity (Min~Rated~Max) (Btu/h)	3,685 ~ 19,000 ~ 22,997
Max. Heating @ Indoor 70°F DB	
Outdoor 19°F DB / 17°F WB	15,270
HSPF2	9.4

HSPF - Heating Seasonal Performance Factor
Cooling Nominal Test Conditions:
Indoor: 80°F DB / 67°F WB Heating Nominal Test Conditions:
Indoor: 70°F DB / 60°F WB
Outdoor: 95°F DB / 75°F WB Outdoor: 47°F DB / 43°F WB

Electrical:

Power Supply (V/Hz/Ø)	208-230/60/1
-----------------------	--------------

Outdoor Unit:

MOP (A)	20
MCA (A)	15
Cooling Rated Amps (A)	10.4
Heating Rated Amps (A)	10.4
Compressor (A)	10.0
Fan Motor (A)	0.4

MOP - Maximum Overcurrent Protection MCA - Minimum Circuit Ampacity

Total Power Input:

Cooling Power Input (kW)	1.5
Heating Power Input (kW)	1.583

Piping:

Liquid Line (in., O.D.)	1/4
Vapor Line (in., O.D.)	1/2
Additional Refrigerant (oz./ft.)	0.26
Min. / Max. Pipe Length (ft.) ²	9.8 / 65.6
Piping Length (no add'l refriger., ft.)	24.6
Max. Elevation (ft.)	32.8

Features:

- 24-Hour on/off timer
- 2-Way (up / down) auto swing
- Auto changeover
- Auto restart
- Jet cool/Jet heat
- Condensate sensor connection
- Energy saving
- Inverter (variable speed compressor)
- Self-cleaning indoor coil
- Sleep mode
- Ultra quiet operation

Included Accessories:

- Wireless Remote Controller — AKB74955602

Optional Accessories:¹⁰

- MultiSITE™ CRC1 — PREMTBVC0
- MultiSITE CRC1+ — PREMTBVC1
- Simple Remote Controller — PREMT00U
- Premium Remote Controller — PREMTA000
- Dry Contact - PDRYCB100/320/400

For a complete list of available accessories, contact your LG representative.

For continual product development, LG reserves the right to change specifications without notice.

© LG Electronics U.S.A., Inc., Englewood Cliffs, NJ. All rights reserved. "LG Life's Good" is a registered trademark of LG Corp. /www.lghvac.com

Operating Range:

Outdoor Unit:

Cooling (°F DB)	14 ~ 118
Heating (°F WB)	14 ~ 65

Indoor Unit:

Cooling (°F WB)	53 ~ 75
Heating (°F DB)	60 ~ 86

System Data:

Refrigerant Type	R410A
Refrigerant Control	EEV
Refrigerant Charge (lbs.)	2.975
ODU Sound Pressure (Cooling / Heating) (±1 dB[A]) ³	55 / 55
IDU Sound Pressure	
Cooling (H/M/L/Sleep) (±1 dB[A]) ³	48 / 43 / 38 / 32
Heating (H/M/L) (±1 dB[A]) ³	48 / 43 / 38 / 32
ODU Net / Shipping Weight (lbs.)	98.1 / 108
IDU Net / Shipping Weight (lbs.)	26 / 30
Heat Exchanger Coating	GoldFin™

Fan:

ODU Type	Propeller
IDU Type	Cross Flow
Fan Speeds (Fan/Cool/Heat)	6 / 6 / 6
Quantity (ODU + IDU)	1 + 1
Motor/Drive	Brushless Digitally Controlled/Direct
ODU Max. Air Flow Rate (CFM)	1,730
IDU Air Flow	
Cooling, Max/H/M/L (CFM)	689 / 512 / 459 / 371
Heating, Max/H/M/L (CFM)	653 / 565 / 477 / 388
Dehumidification (pts./hr.)	3.38

Notes:

1. Acceptable operating voltage: 187V-253V.
2. Piping lengths are equivalent.
3. Sound Pressure levels are tested in an anechoic chamber under ISO Standard 3745.
4. All communication / connection (power) cable from the outdoor unit to the indoor unit is field supplied and must be a minimum of four-conductor, 14 AWG, stranded, shielded or unshielded (if shielded, it must be grounded to the chassis of the outdoor unit only), and must comply with applicable local and national codes.
5. See Engineering Manual for sensible and latent capacities.
6. Power wiring cable size must comply with the applicable local and national code.
7. The indoor unit comes with a dry helium charge.
8. This data is rated 0 ft. above sea level, with 24.6 ft. of refrigerant line and a 0 ft. level difference between outdoor and indoor units.
9. Must follow installation instructions in the applicable LG installation manual.
10. LSN***HEV2 9,000 and 12,000 Btu/h Mega indoor units are compatible with wired controllers from July 2019 production; LSN***HEV2 18,000 and 24,000 Btu/h Mega indoor units are compatible with wired controllers from January 22, 2020 production. LSN Mega indoor units are compatible with Dry Contacts from August 2019 production.



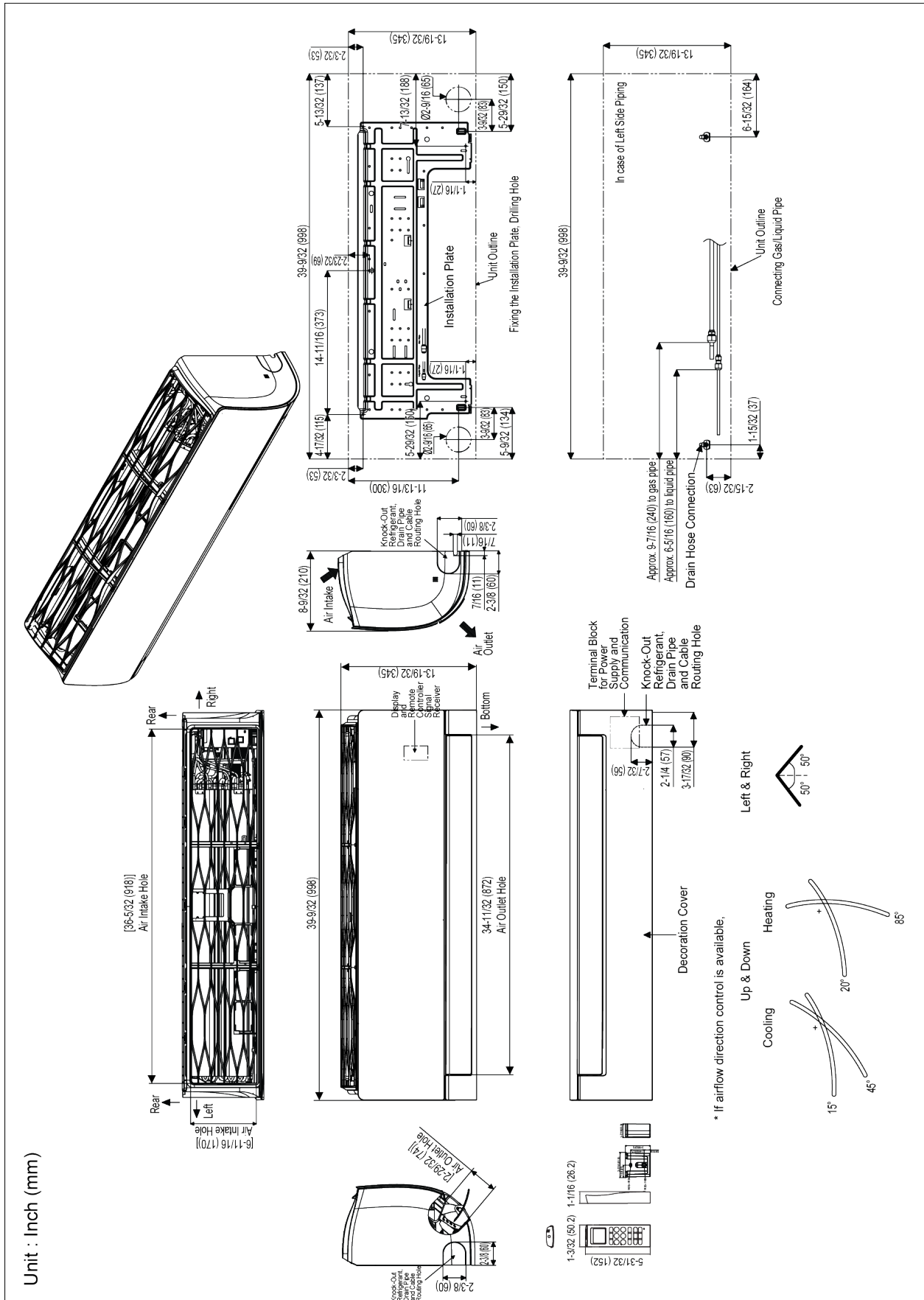
LS180HEV2
 Single Zone Mega Wall Mounted
 Outdoor Unit (ODU) - LSU180HEV2, Indoor Unit (IDU) - LSN180HEV2



Tag No.: _____

Date: _____

PO No.: _____



Job Name/Location: _____

LS180HEV2

Single Zone Mega Wall Mounted

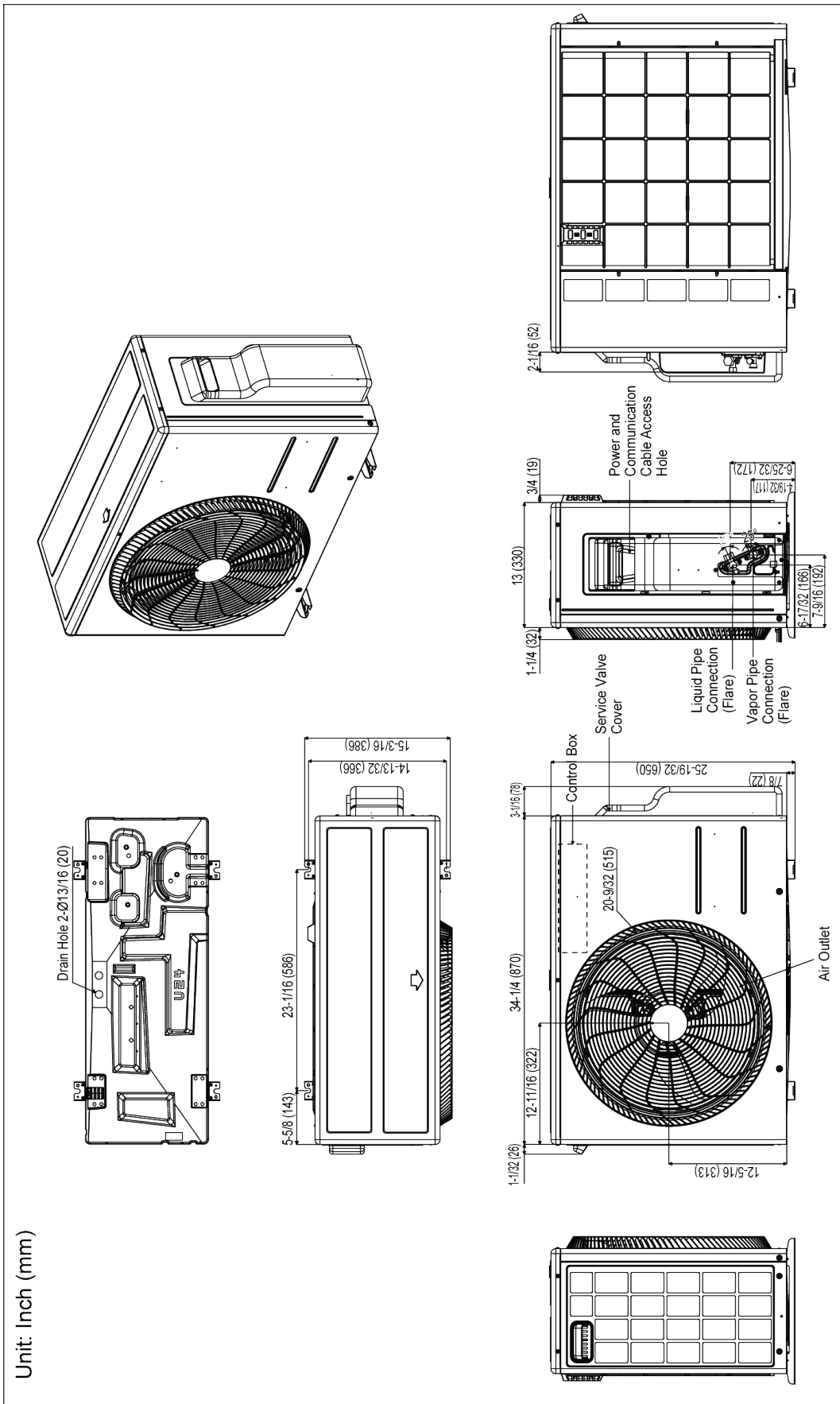
Outdoor Unit (ODU) - LSU180HEV2, Indoor Unit (IDU) - LSN180HEV2



Tag No.: _____

Date: _____

PO No.: _____



Unit: Inch (mm)