

Job Name/Location:

Tag #:

Date:

For: File Resubmit

PO No.:

Approval Other _____

Architect:

GC:

Engr:

Mech:

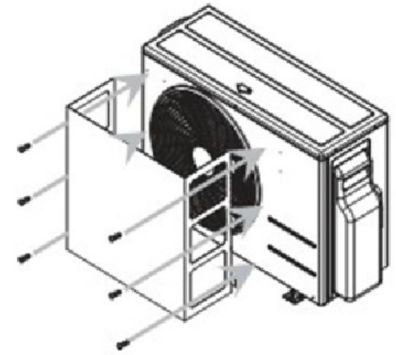
Rep:

(Company)

(Project Manager)

ZLABGP01A

Low Ambient Wind Baffle Kit



Unit Data:

Net Unit Weight (lbs)	4
Shipping Weight (lbs)	7
Dimensions (in)	19-11/16 x 19-11/16 x 7-15/16

Fitting Properties:

Color	Soft Dove Grey
Material	20 GA Paint Grip

Compatible Outdoor Units:

LSU090HSV5

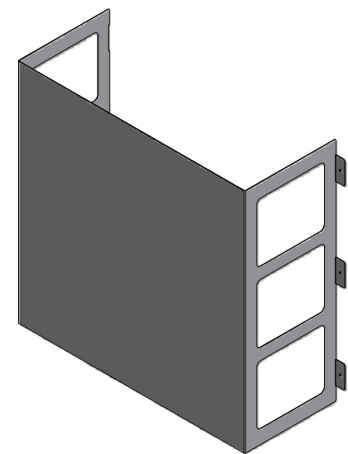
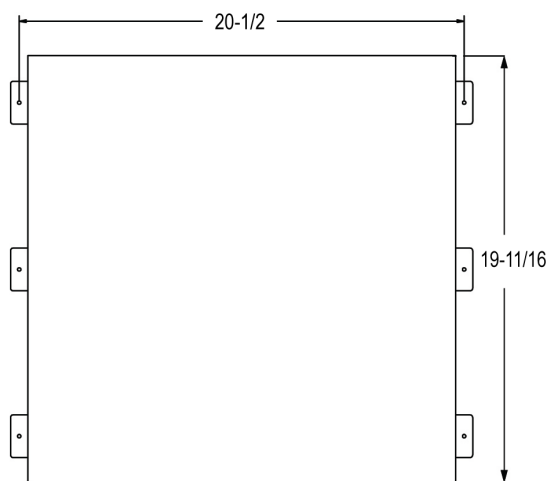
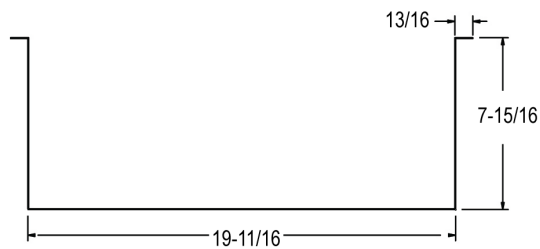
LUU097HV

LSU120HSV5

LUU127HV

Standard Features:

- Allows operation down to 0°F in cooling mode
- Compatible outdoor units are equipped with necessary fan speed control
- 6 zinc plated pan head phillips screws #8 x 1/2"



Unit = inch

Note: All dimensions are rounded up to the nearest fraction.