

# LCA672AEG6B - SUBMITTAL



Project Name:		Project Location:	
Quote ID:		Item #:	1000
Submitted For:		Submitted On:	
Submitted By:		Submitted From:	
Identity #:		Tag:	

For Record       For Approval      By: \_\_\_\_\_      Date: \_\_\_\_\_

## General Product Information

Product Family:	LCA6	Motor type	EC
Defrost Type:	Air	Number of Fans:	2
Voltage: (Volts/Ph/Hz)	115/1/60	Fan HorsePower	1/15
Refrigerant Type:	R404A	Fins per Inch	6

## Technical Information

### Performance Data

Capacity			Air Flow				Altitude (ft)	AWEF Value
TD (°F)	SST (°F)	Capacity (BTU/H)	CFM	Fan Diameter (ft)	Air Throw (ft)			
					Standard	w/Collar		
10	25.0	7,200	1,460	12			0	N/A

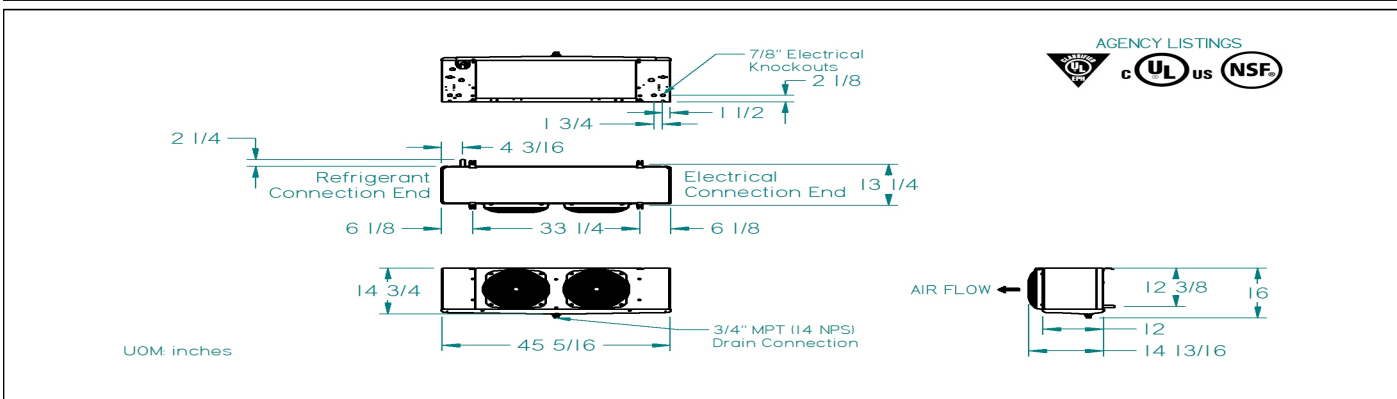
### Electrical Data

Fan Motor(s)		Defrost Heater(s)		Drain Pan Heater(s)	
Watts	Amps	Watts	Amps	Watts	Amps
114	2				

### Unit Specifications

Connections (in.)						Approx. Net Weight (lbs)
Coil Inlet	Suction	External Equalizer	Drain	Side Port	Hot Gas Drain Pan	
1/2	7/8	1/4	3/4			45

### Dimensional Drawing(s)



# LCA672AEG6B - SUBMITTAL



Project Name:		Project Location:	
Quote ID:		Item #:	1000
Submitted For:		Submitted On:	
Submitted By:		Submitted From:	
Identity #:		Tag:	

## Standard Features

### EASE OF INSTALLATION & SERVICE

- ALL ELECTRICAL COMPONENTS FACTORY WIRED TO TERMINAL BOARD AND IDENTIFIED, MAKING IT EASY TO FIELD WIRE THE UNIT
- CABINET DESIGN FEATURES FRONT ACCESS PANELS ON EACH SIDE FOR EASY ACCESS TO ELECTRICAL AND REFRIGERATION COMPONENTS
- LIQUID LINE SOLENOID WIRE HARNESS IS FACTORY-INSTALLED FOR QUICK INSTALLATION
- MOTORS PLUG INTO WIRING HARNESS FOR EASIER SERVICING
- ON 4-6 FAN MODELS, DRAIN PAN HAS A LANYARD FOR EASY AND SAFE ACCESS
- PRE-DRILLED HOLES ON THE BACK OF THE UNIT FOR ROOM THERMOSTAT

### PERFORMANCE

- INTERNAL PANELS ARE ISOLATED FOR QUIET OPERATION
- INTERNALLY ENHANCED TUBING AND FIN DESIGN FOR HIGHER EFFICIENCY

### IRC (INTELLIGEN REFRIGERATION CONTROLLER) COMPONENTS

- 24-VOLT TRANSFORMER, 24-VOLT COMPRESSOR CONTACTOR, LOW PRESSURE TIME DELAY SWITCH, AND SUCTION PRESSURE TRANSDUCER
- IRC (INTELLIGEN REFRIGERATION CONTROLLER) BOARD WITH OLED DISPLAY AND USER INTERFACE
- ELECTRONIC EXPANSION VALVE THAT CLOSSES AUTOMATICALLY ON LOSS OF POWER
- THREE TEMPERATURE SENSORS (DEFROST TEMP, SUCTION TEMP, ROOM TEMP)

### PERFORMANCE

- INTERNAL PANELS ARE ISOLATED FOR QUIET OPERATION
- INTERNALLY ENHANCED TUBING AND FIN DESIGN FOR HIGHER EFFICIENCY

### RELIABLE & DURABLE

- ATTRACTIVE WHITE CABINET
- MOLDED FAN GUARD DESIGN MADE OF STRONG PLASTIC MATERIAL
- SWEAT CONNECTIONS TO REDUCE POTENTIAL FOR LEAKS

### VERSATILE

- LARGE DIAMETER DRAIN HOLE (3/4" ID) IS LOCATED ON THE BACK OF THE UNIT
- MINIMAL HEIGHT OF THE LOW PROFILE SERIES MAKES IT IDEAL FOR LOW CEILING COOLERS

### ELIMINATED COMPONENTS

- DEFROST AND FAN CONTACTORS
- DEFROST TERMINATION/FAN DELAY SWITCH
- DEFROST TIME CLOCK
- LIQUID-LINE SOLENOID VALVE
- ROOM THERMOSTAT
- THERMAL EXPANSION VALVE

### RELIABLE & DURABLE

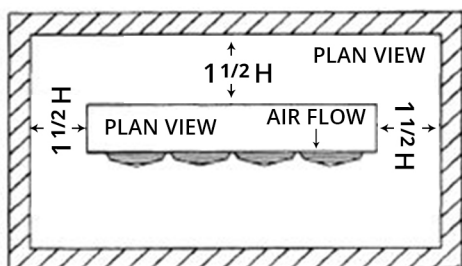
- ATTRACTIVE WHITE CABINET
- MOLDED FAN GUARD DESIGN MADE OF STRONG PLASTIC MATERIAL
- SWEAT CONNECTIONS TO REDUCE POTENTIAL FOR LEAKS

## Options

### Mounted Options

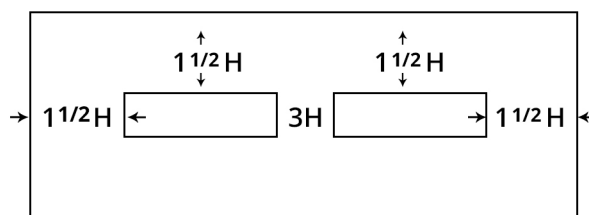
- Brand Label - LARKIN
- Coil Coating - Aluminum
- Fan Guard Selection - Blue Plastic Guard
- Packaging Options - Carton
- Drain Pan Options - Single Wall Aluminum White
- IntelliGen Refrig Ctrl Options - IRC WITH USER INTERFACE
- Coil Mechanical Option - EEV
- Fan Blade Selection - Standard Fan Blade
- Cabinet - White

## Minimum Unit Clearances



One Evaporator

**NOTE:**  
H = Total Height evaporator coil surface.



Two Evaporators