

INSTALLING AND OPERATING DIRECTIONS

SET TIME

Rotate the timer dial clockwise to align the triangle on the inner dial with the desired time. The triangle represents the current time on the timer.

DEFROST CYCLES

1. On the timer wheel, choose a defrost cycle starting time.
2. Slide the tripper upward so it is directly above the desired time. The timer will initiate a 15 minute defrost cycle at the configured time.
3. To increase the duration of the defrost cycle, slide up the trippers that are adjacent to the starting time.

Note: Each tripper on the time wheel represents 15 minutes. For example, to set a 45 minute defrost cycle, slide the two additional trippers adjacent to the starting time.

4. Repeat steps 1 through 3 as necessary to configure multiple defrost times for a given day.
5. Setting the red override switch:
 - To execute the programmed schedule, set the selector switch to the center position.
 - **MANUAL OVERRIDE:** Set the switch to the "1" position to turn the load permanently ON.
 - Set the switch to the "0" position to turn the load permanently OFF.
6. Set A/B switch (upper right corner) to the proper setting for the wiring diagram chosen. (Default setting B).

SUPPLY CONNECTIONS USE GAGE SPECIFIED SUITABLE FOR 75°C (167°F)

MIN. GAGE WIRE	8	10	12	14
MAX LOAD	40A	30A	20A	10A

USE ONLY COPPER CONDUCTORS.
UTILISER UNIQUEMENT DU FIL DE CUIVRE.

FOR SUPPLY CONNECTIONS: USE NO. 6 AWG OR LARGER WIRES RATED AT LEAST 105°C.

FOR DEFROST CONNECTIONS (TERMINAL X & C), USE NO. 14 AWG OR LARGER WIRES RATED AT LEAST 105°C.



CAUTION - RISK OF ELECTRIC SHOCK

DISCONNECT ALL POWER AT MAIN PANEL BEFORE REMOVING INSULATOR. MORE THAN ONE DISCONNECT SWITCH MAY BE REQUIRED TO DE-ENERGIZE THE DEVICE FOR SERVICING.

REPLACE INSULATOR AFTER WIRING.
USE COPPER CONDUCTORS ONLY.



ATTENTION - RISQUE DE CHOC ÉLECTRIQUE

COUPEZ TOUTES LES ALIMENTATIONS AT PANNEAU PRINCIPAL AVANT DE RETIRER ISOLANT. PLUS D'UN SECTIONNEUR PEUT ÊTRE NÉCESSAIRE POUR COUPER L'ALIMENTATION DU DISPOSITIF POUR L'ENTRETIEN.

REMPLEZ L'ISOLANT APRÈS LE CÂBLAGE.
UTILISER UNIQUEMENT DU FIL DE CUIVRE.



LISTED
REFRIGERATION
CONTROLLER
868G

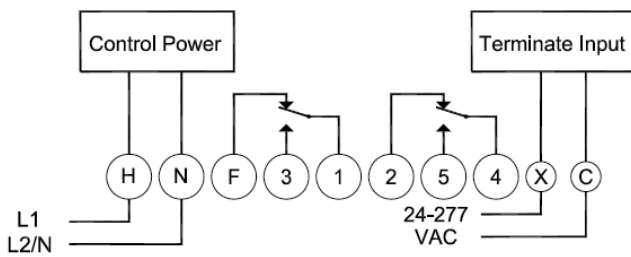


8145-AV

NO Contacts (Terminal 3 & 5)			NC Contacts (Terminal 5 & 2)		
40A	Resistive	120-277V AC	30A	Resistive	120-277V AC
3HP	Motor	240V AC	2HP	Motor	240V AC
1.5HP	Motor	120V AC	1/4HP	Motor	120V AC
720VA	Pilot Duty	120-240V AC	290VA	Pilot Duty	120-240V AC

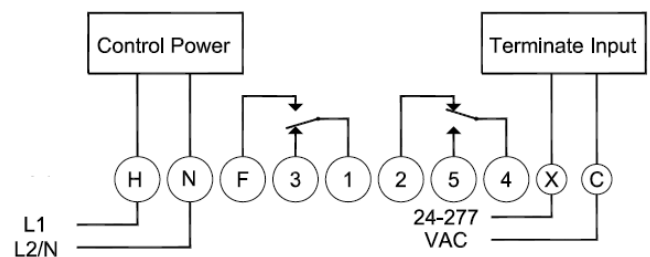
MODE A

Trippers are "IN" = Refrigeration mode
Green LED is off, Red LED is On



MODE B

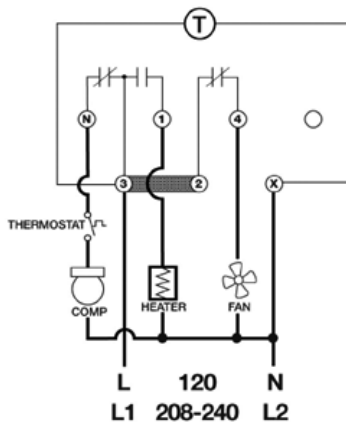
Trippers are "IN" = Refrigeration mode
Both LEDs are OFF



Applying power (24-277V AC) between Terminate Input terminals "X" and "C" causes the unit to return to Refrigeration Mode. If the Terminate input voltage is removed while the trippers are ON, the unit remains in the Refrigeration Mode. The unit remains in Refrigeration until both the Terminate input voltage is removed and the trippers cycle OFF then ON again.

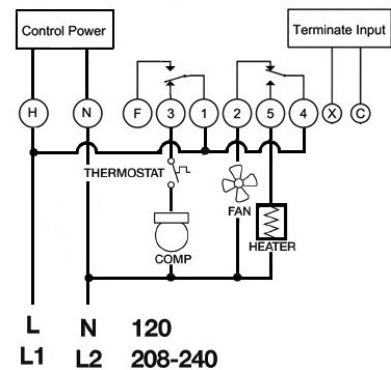
8041-00 and 8041-20

Electric Heat Defrosting



MODE B

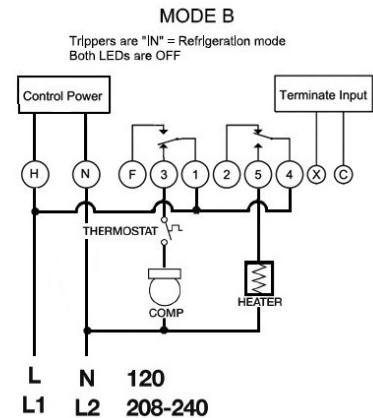
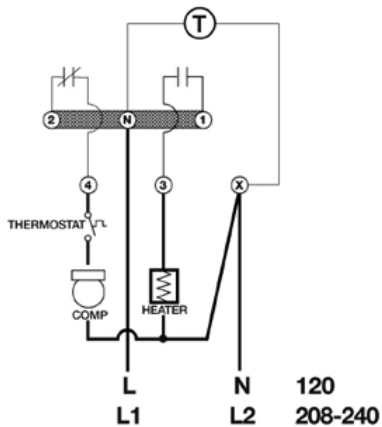
Trippers are "IN" = Refrigeration mode
Both LEDs are OFF



8145-AV	H (L/L1)	N (N/L2)	F	3 COMP	1 (L/L1)	2 FAN	5 HEATER	4 (L/L1)	X	C
8041-00	3	X		N	3	4	1	3		
8041-20	(L/L1)	(N/L2)			(L/L1)			(L/L1)		
DTAV40	3	X		4	2	N	1	3		
	(L/L1)	(N/L2)			(L/L1)			(L/L1)		

8045-00 and 8045-20

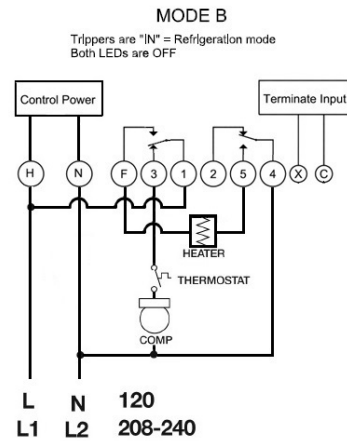
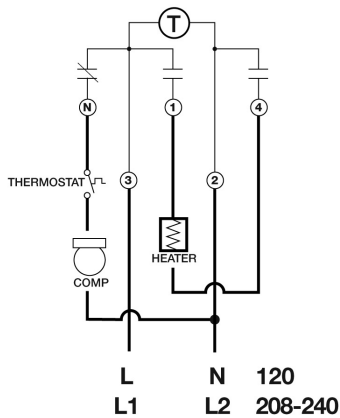
Electric Heat Defrosting



8145-AV	H (L/L1)	N (N/L2)	F	3 COMP	1 (L/L1)	2	5 HEATER	4 (L/L1)	X	C
8045-00	N (L/L1)	X (N/L2)		4	N (L/L1)		3	N (L/L1)		
8045-20										
DTAV40	1-N (L1)	X (L2)		4	1-N (L1)		3	2 (L1)		

8047-00 and 8047-20

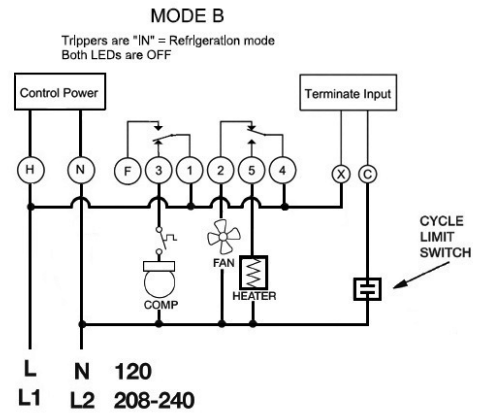
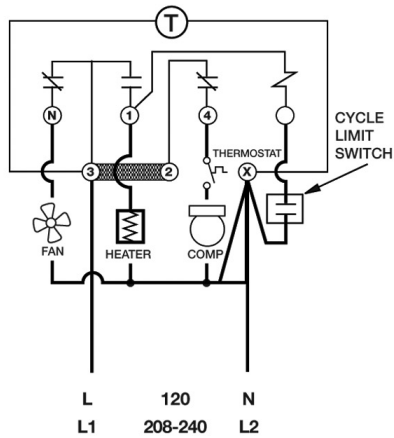
Electric Heat Defrosting



8145-AV	H (L/L1)	N (N/L2)	F	3 HEATER	1 COMP	2	5 HEATER	4 (N/L2)	X	C
8047-00	3 (L/L1)	2 (N/L2)	1 HEATER	N COMP	3 (L/L1)		4 HEATER	2 (N/L2)		
8047-20										
DTAV40	3 (L/L1)	2 (N/L2)	1 HEATER	N COMP	3 (L/L1)		4 HEATER	2 (N/L2)		

8141-00 and 8141-20

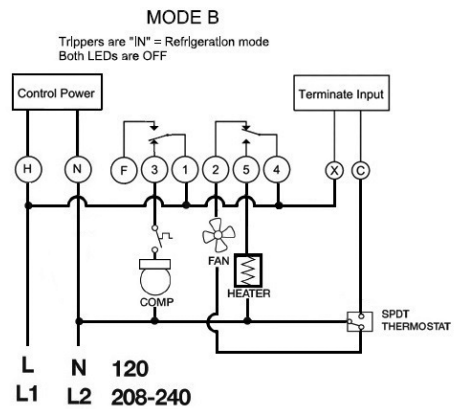
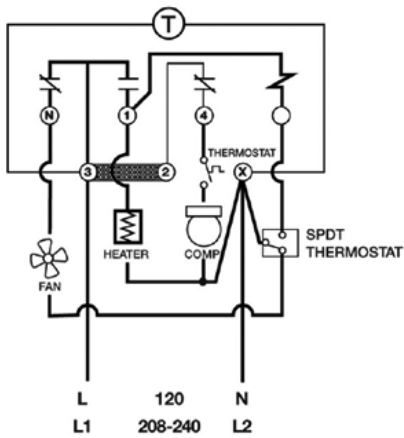
Electric Heat Defrosting (Cycle Limit Switch)



8145-AV	H (L/L1)	N (N/L2)	F	3 COMP	1 (L/L1)	2 FAN	5 HEATER	4 (L/L1)	X (L/L1)	C LIMIT
8141-00	3 (L/L1)	X (N/L2)		4 COMP	3 (L/L1)	N FAN	1 HEATER	3 (L/L1)	3 (L/L1)	INPUT LIMIT
8141-20										

8141-00 and 8141-20

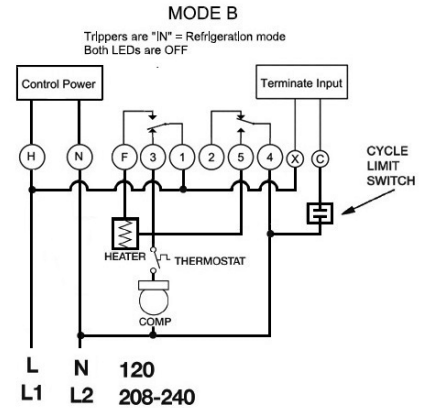
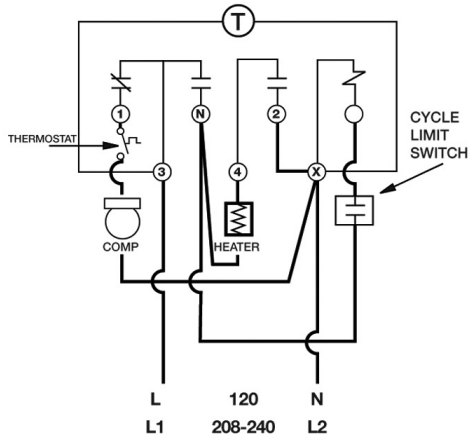
Electric Heat Defrosting (SPDT Thermostat)



8145-AV	H (L/L1)	N (N/L2)	F	3 COMP	1 (L/L1)	2 FAN	5 HEATER	4 (L/L1)	X (L/L1)	C SPDT
8141-00	3 (L/L1)	X (N/L2)		4 COMP	3 (L/L1)	N FAN	1 HEATER	3 (L/L1)	3 (L/L1)	INPUT SPDT
DTAV40	3 (L/L1)	X (N/L2)		4 COMP	2 (L/L1)	N FAN	1 HEATER	3 (L/L1)	3 (L/L1)	INPUT SPDT

8143-00 and 8143-20

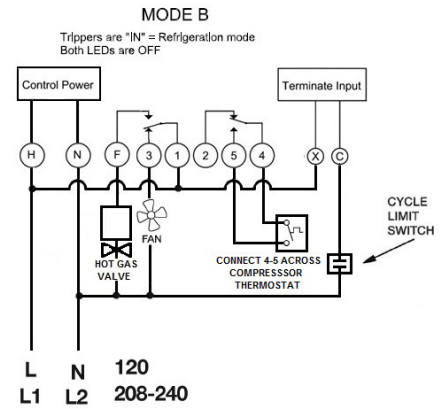
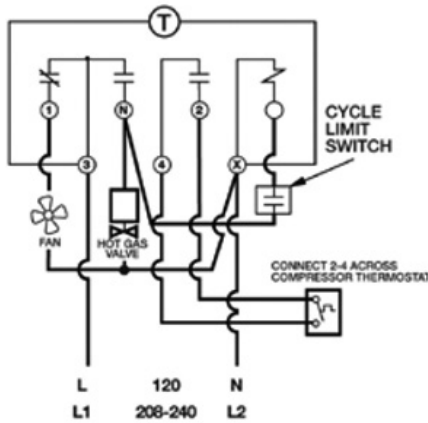
Electric Heat Defrosting (Cycle Limit Switch)



8145-AV	H (L/L1)	N (N/L2)	F HEATER	3 COMP	1 (L/L1)	2	5 HEATER	4 (N/L2)	X (L/L1)	C LIMIT
8143-00	3 (L/L1)	X (N/L2)	N HEATER	1 COMP	3 (L/L1)		4 HEATER	X (N/L2)	3 (L/L1)	INPUT LIMIT
DTAV40	3 (L/L1)	X (N/L2)	N HEATER	1 VALVE	3 (L/L1)		4 HEATER	2 (N/L2)	3 (L/L1)	INPUT STAT

8143-00 and 8143-20

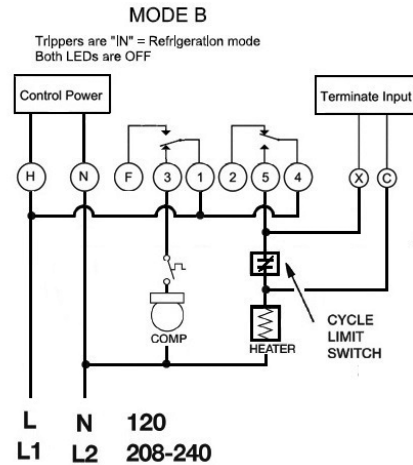
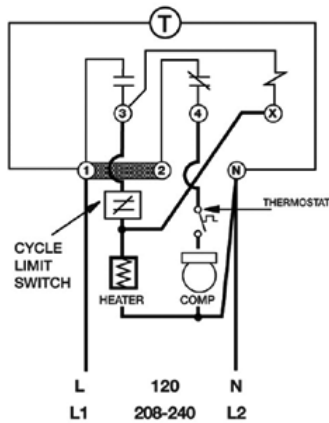
Hot Gas Defrosting (Cycle Limit Switch)



8145-AV	H (L/L1)	N (N/L2)	F H GAS	3 FAN	1 (L/L1)	2	5 TSTAT	4 TSTAT	X (L/L1)	C LIMIT
8143-00	3 (L/L1)	X (N/L2)	N H GAS	1 FAN	3 (L/L1)		2 TSTAT	4 TSTAT	3 (L/L1)	INPUT LIMIT

8145-00 and 8145-20

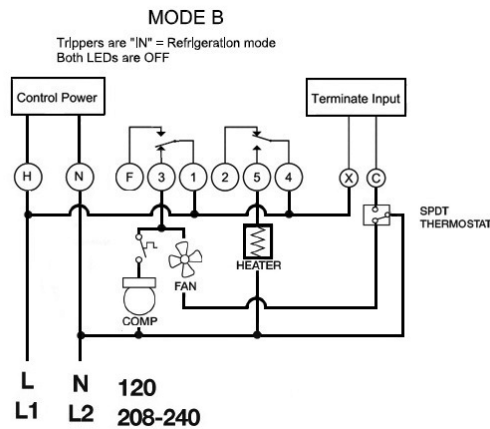
Electric Heat Defrosting (Cycle Limit Switch)



8145-AV	H (L/L1)	N (N/L2)	F	3 COMP	1 (L/L1)	2	5 LIMIT	4 (L/L1)	X 5/LIMIT	C HEATER/ LIMIT
8145-00	1 (L/L1)	N (N/L2)		4 COMP	1 (L/L1)		3 LIMIT	1 (L/L1)		X HEATER/ LIMIT
8145-20	1 (L/L1)	N (N/L2)		4 COMP	1 (L/L1)		3 LIMIT	1 (L/L1)		X HEATER/ LIMIT

8145-00 and 8145-20

Electric Heat Defrosting (SPDT Thermostat)



8145-AV	H (L/L1)	N (N/L2)	F	3 COMP FAN	1 (L/L1)	2	5 HEATER	4 (L/L1)	X (L/L1)	C SPDT
DTAV40	1 (L/L1)	N (N/L2)		4 COMP FAN	2 (L/L1)		3 HEATER	1 (L/L1)	1 (L/L1)	X SPDT



Customer Service Telephone 1.800.304.6563
Customer Service Facsimile 1.800.426.0804
HVACCustomerService@robertshaw.com

For Technical Service
Telephone 1.800.445.8299
TechnicalService@robertshaw.com

Robertshaw®, Paragon® and Uni-Line® are trademarks of Robertshaw its subsidiaries and/or affiliated companies. All other brands mentioned may be the trademarks of their respective owners.

www.robertshaw.com
©2016 Robertshaw
06/16 – 352-00259-001