

AEA2410ZXAXC

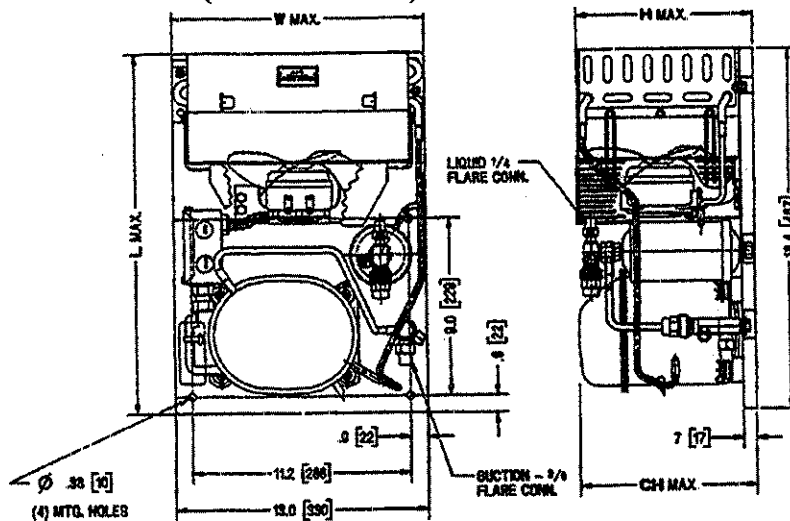
Date: April 1, 1997

Revision 2003



TECUMSEH HERMETIC CONDENSING UNITS

MODEL AEA2410ZXAXC (B/M 2C441-9) R-404A 1/4 HP AIR COOLED



NOTE: DIMENSIONS = INCHES (MILLIMETERS)

POE

Model	Dimensions				*Line Connection		Pumpdown 90° F 90% Full	Air CFM	Oil Chg oz.	Gr. Wt. Lbs.
	L	W	H	CH	Suct.	Liq.				
AEA2410ZXAXC	18.5	13.0	8.9	9.0	3/8 F	1/4 F	2.46#	210	16	55

*F=Flare, S=Solder, RF or RS= Rotolock Valve with Flare or Solder Connections
Factory charge: 20 psig nitrogen - MUST BE EVACUATED 60 HZ Performance

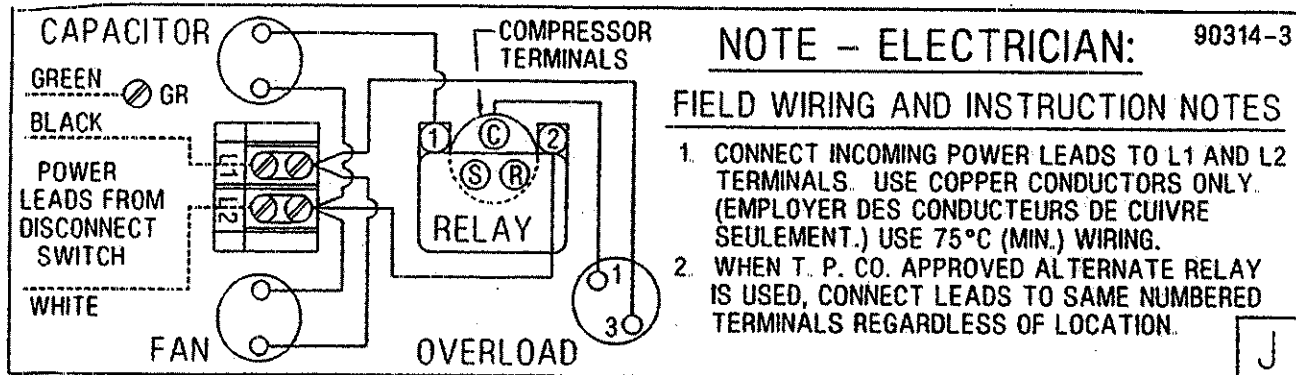
Approved Evap. Range		Ambient								
		90° F			100° F			110° F		
°F	PSIG	BTUH	Watts	Head	BTUH	Watts	Head	BTUH	Watts	Head
-40	4.5	400	225	225	330	220	255	250	210	295
-35	7.1	490	240	227	400	235	257	320	230	296
-30	9.9	580	260	230	480	255	260	400	250	297
-25	12.9	670	275	235	570	270	265	480	265	300
-20	16.3	770	290	240	660	290	270	560	285	305
-15	19.9	880	310	245	760	310	278	640	310	310
-10	23.9	1000	330	255	860	330	285	730	330	320
-5	28.2	1120	350	260	970	350	290	830	355	330
0	32.8	1240	375	270	1080	380	305	920	385	340
5	37.9	1370	400	280	1200	405	315	1020	410	350
10	43.3	1500	430	290	1320	435	325	1120	440	360

Based on 40° F return gas temp., 5° F subcooling

Date: January 2003
Unit Catalog Update

SPECIFICATIONS	<u>AEA2410ZXAXC</u>
Nominal Voltage	<u>115-1</u>
Unit B/M	<u>2C441-9</u>
Voltage Range	<u>126.5 to 103.5</u>
Min Circuit Ampacity	<u>6.0</u>
Max. Fuse Size (Amps)	<u>15</u>
Compressor Model	<u>AEA2380ZXA</u>
Comp. Bill of Material	<u>AE560AT-916</u>
RLA/LRA	<u>4.4/30.2</u>
ESP Overload	<u>P83458</u>
ESP Relay	<u>P82940</u>
Electrical Box	<u>AE1274-026</u>
Start Capacitor	<u>85PS110C76</u>
Rating	<u>243-292MFD/110V</u>
Fan Motor (OEM)	<u>810M006B45</u>

Fan RLA	<u>.46RLA</u>
Replacement Motor	<u>TFM61</u>
Fan Motor Bracket	<u>57156</u>
Fan Blade	<u>51561-1</u>
Shroud	<u>70854</u>
Condenser	<u>50821</u>
Fan Guard	<u>70837-2</u>
Receiver Tank	<u>51080</u>
Receiver Tank Valve	<u>31584-1 (1/4" F) RL</u>
O' Ring Gasket	<u>30334</u>
Process Valve	<u>56533-4 (3/8" F SO)</u>
Optional Outdoor Enclosure	<u>TP-181D</u>
Crankcase Heater (If Inc)	<u>NA</u>
Unit Drawing	<u>SU1896-107</u>
Schematic or Elect. Drawing	<u>90314-3</u>



Some parts listed may be optional or listed as replacement parts.