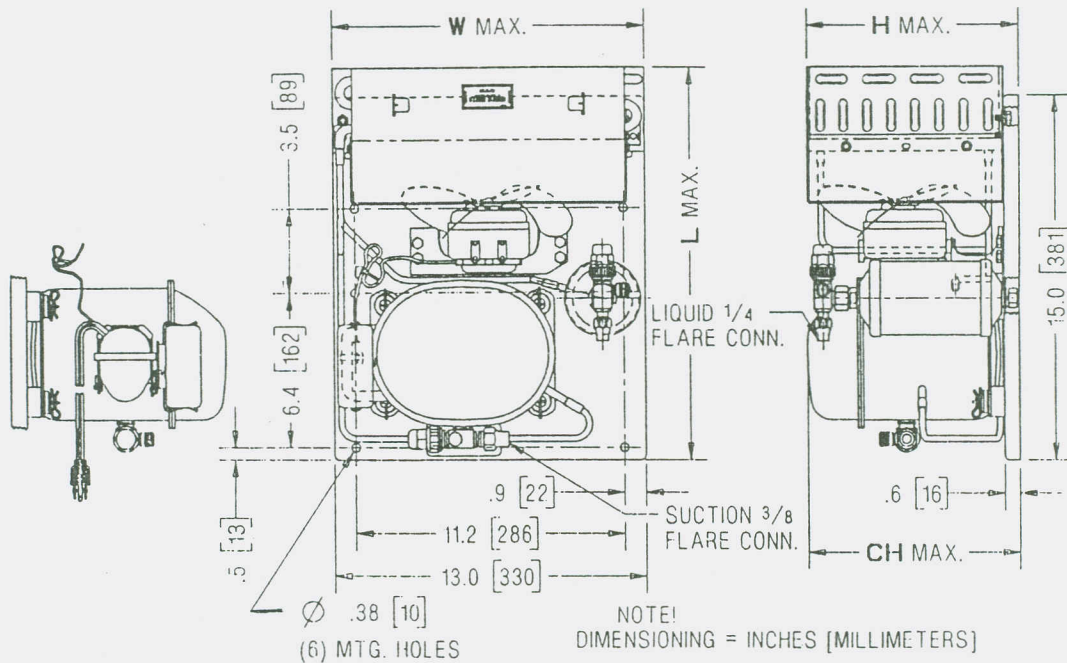




# TECUMSEH HERMETIC CONDENSING UNITS

Date: April 1, 1997

MODEL AEA4430AXAXB (Formerly AE4430AB) R-12 1/4 HP AIR COOLED

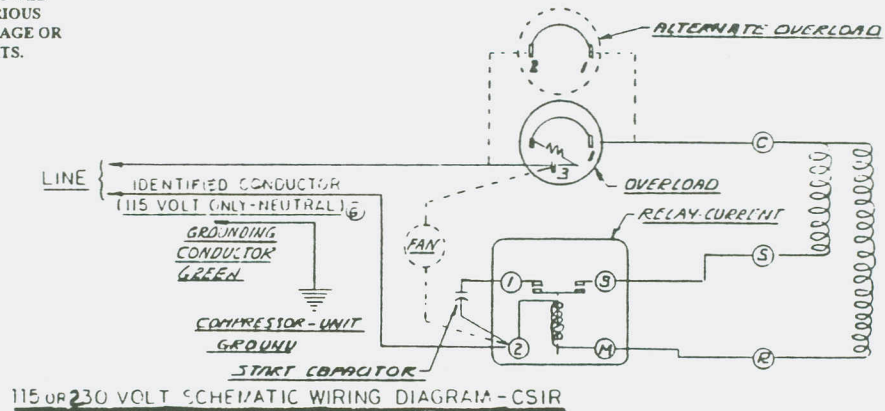


Model	Dimensions				*Line Connection		Pumpdown 90 ° F 90% Full	Air CFM	Oil Chg oz.	Gr. Wt. Lbs.
	L	W	H	CH	Suct.	Liq.				
AEA4430AXAXB	16.2	13.2	9.0	8.9	3/8 F	1/4 F	2.4#	—	10	48
*F=Flare, S=Solder, RF or RS= Rotolock Valve with Flare or Solder Connections Factory charge: 20 psig nitrogen - <b>MUST BE EVACUATED</b> 60 HZ Performance										
Approved Evap. Range		Ambient								
		90° F			100° F			110° F		
° F	PSIG	BTUH	Watts	Head	BTUH	Watts	Head	BTUH	Watts	Head
+20	21.0	2030	380	130	1880	390	145	1630	398	158
25	24.6	2180	415	138	2030	420	152	1870	425	168
30	28.4	2375	440	146	2230	448	162	2060	456	178
35	32.6	2600	468	156	2450	478	174	2270	488	188
40	37.0	2830	498	168	2675	510	184	2500	520	204
45	41.7	3080	530	180	2930	542	200	2750	558	220

65 ° F return gas temp., 5 ° F subcooling

<b>SPECIFICATIONS</b>		<b>AEA4430AXAXB</b>
Nominal Voltage -----	115-60-1	
Unit B/M -----	2B428-9	
Voltage Range -----	126.5 to 103.5	
Min. Circuit Ampacity --	6.7	
Max. Fuse Size (Amps) --	15	
Compressor Model -----	AEA4430AXA	
Bill of Material --	AE155AL-238	
RLA/LRA -----	5.0/29.0	
Fan RLA -----	.50	
ESP Overload -----	P83940	
ESP Relay -----	P82928	
Start Cap.-----	85PS110C76	
Rating -----	243-292/110	
Fan Motor -----	TFM61	
Shroud -----	70854	Receiver Tank ----- 51080
Fan Motor Brckt ---	57156	Receiver Tank Valve ---- 31584 (1/4" F)
Fan Blade -----	51531-2	Suction Valve ----- 31580-1
Condenser -----	50794	
Unit Drawing -----	SU1896-54	
Schematic or Elect. Dwg. ----	DEAE-10	

WARNING-WIRING DIAGRAM MUST BE FOLLOWED AS SHOWN. ANY MISWIRING CAN CAUSE SERIOUS ELECTRICAL HAZARD AND POTENTIAL DAMAGE OR RUPTURE OF COMPONENT ELECTRICAL PARTS.



1. WHEN FAN IS USED HOOK UP AS SHOWN.
2. IDENTIFIED CONDUCTOR-MAY BE WHITE OR RIBBED (115 VOLT ONLY-NEUTRAL).
3. ASSEMBLE PARTS AS SHOWN IF SPECIFIED ON B/M.

DEAE-10