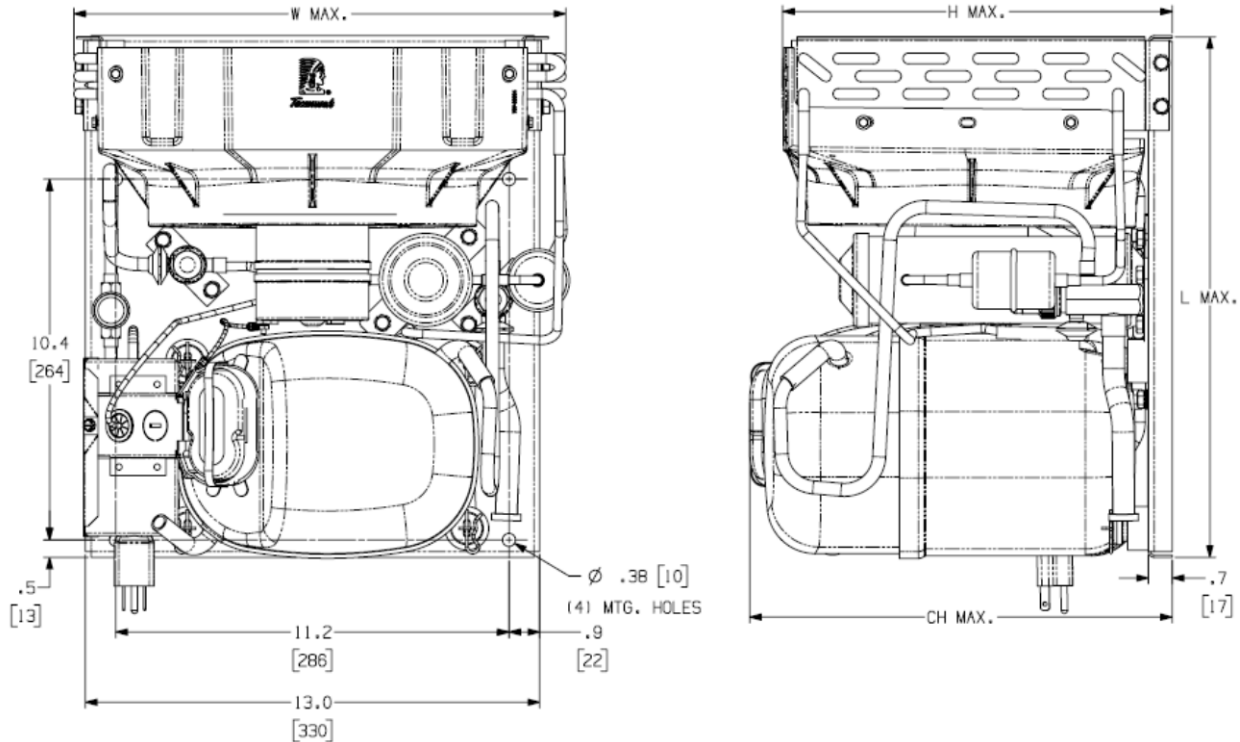




# Celseon® Air Cooled Condensing Unit

*Tecumseh*

Model: AJA7444AAAD\*  
BoM: 2G210-\*\* R-12 1/2 HP



Model	Dimensions, inches				Line Connection*		Pumpdown	Air	Oil Ch	Gr. Wt.
	L	W	H	CH	Suction	Liquid	90 °F 90%	SCFM	Oz.	Lbs.
AJA7444AAADA	15.0	14.0	11.1	11.7	3/8" S	1/4" S	N/A	185	22	62
AJA7444AAADG					5/8" S	3/8" S	2.8 lbs			64
AJA7444AAADH					5/8" S	3/8" S	N/A			62
AJA7444AAADK					3/8" S	1/4" S	2.8 lbs			62
AJA7444AAADC					5/8" S	3/8" S	N/A			64
AJA7444AAADS					5/8" S	3/8" S	2.8 lbs			62
AJA7444AAADJ					5/8" S	3/8" S	2.8 lbs			64
AJA7444AAADP					5/8" S	3/8" S	2.8 lbs			64

\* F = Flare, S = Solder, RF or RS = Rotolock with Flare or Solder Connections, C = Compression Fitting

Factory charge: 20 PSIG Nitrogen – **MUST BE EVACUATED**

Evaporator T,		Ambient Temperatures								
		90°F			100°F			110°F		
°F	PSIG	BTUH	Watts	Cond T	BTUH	Watts	Cond T	BTUH	Watts	Cond T
0	9.2	2860	600	116	2625	620	120	2390	640	125
10	14.6	3610	700	120	3350	725	125	3090	750	131
15	17.7	4000	760	124	3725	795	129	3475	820	134
20	21.0	4400	830	127	4120	860	133	3825	900	139
25	24.6	4820	910	131	4500	940	138	4200	980	143
30	28.4	5280	985	135	4995	1030	141	---	---	---

## 60 Hz Performance

Return gas temp. 40°F, 5°F sub cooling

**Specifications/ Parts:**

<b>Unit Model</b>	<b>AJA7444AAADA</b>
<b>Unit Bill of Material</b>	<b>2G210-09</b>
Refrigeration Range	-10° F to +30° F
Design Pressure Low	150
Design Pressure High	235
Nominal Volts-Hz-Ph	115/60/1
Voltage Range	103 to 127
Min. Circuit Ampacity	11.4
Max. Fuse Size (amps)	20
Compressor Model	AJA7441AXA
Comp. Bill of Material	AJ530AT-434-J7
Compressor RLA/LRA	8.8/49.5
Overload	8300CSTG65
Relay	8200EMBJ97
Run Capacitor	N/A
Start Capacitor	85PS125D59
Fan Motor	810-10001
Fan Motor RLA	.38
Fan Blade	515-10002
Fan Shroud/Guard Combo	707-00004
Condenser	506-10004
Unit Drawing	DGU1971-03
Wiring Diagram	91266-01
Replacement Kit: Relay	K71-03
Replacement Kit O/L	K90-49
Replacement Kit St. Cap	K146-52

<b>Unit Model</b>	<b>AJA7444AAADG</b>
<b>Unit Bill of Material</b>	<b>2G210-19</b>
Receiver Tank	510-10000
Liquid Valve	56659
Suction Valve	56660
<b>Unit Model</b>	<b>AJA7444AAADH</b>
<b>Unit Bill of Material</b>	<b>2G210-29</b>
Liquid Valve	56659
Suction Valve	56660
<b>Unit Model</b>	<b>AJA7444AAADK</b>
<b>Unit Bill of Material</b>	<b>2G210-39</b>
Power Cord	85106-14
<b>Unit Model</b>	<b>AJA7444AAADC</b>
<b>Unit Bill of Material</b>	<b>2G210-59</b>
Receiver Tank	510-10000
Liquid Valve	56659
Suction Valve	56660
Power Cord	85106-14
<b>Unit Model</b>	<b>AJA7444AAADS</b>
<b>Unit Bill of Material</b>	<b>2G210-69</b>
Liquid Valve	56659
Suction Valve	56660
Power Cord	85106-14
<b>Unit Model</b>	<b>AJA7444AAADJ</b>
<b>Unit Bill of Material</b>	<b>2G210-79</b>
Receiver Tank	510-10000
Liquid Valve	56659
Suction Valve	56660
Filter Drier	71116
Sight Glass	70084
<b>Unit Model</b>	<b>AJA7444AAADP</b>
<b>Unit Bill of Material</b>	<b>2G210-89</b>
Receiver Tank	510-10000
Liquid Valve	56659
Suction Valve	56660
Power Cord	85106-14
Filter Drier	71116
Sight Glass	70084

# Electrical Diagram Page 3

