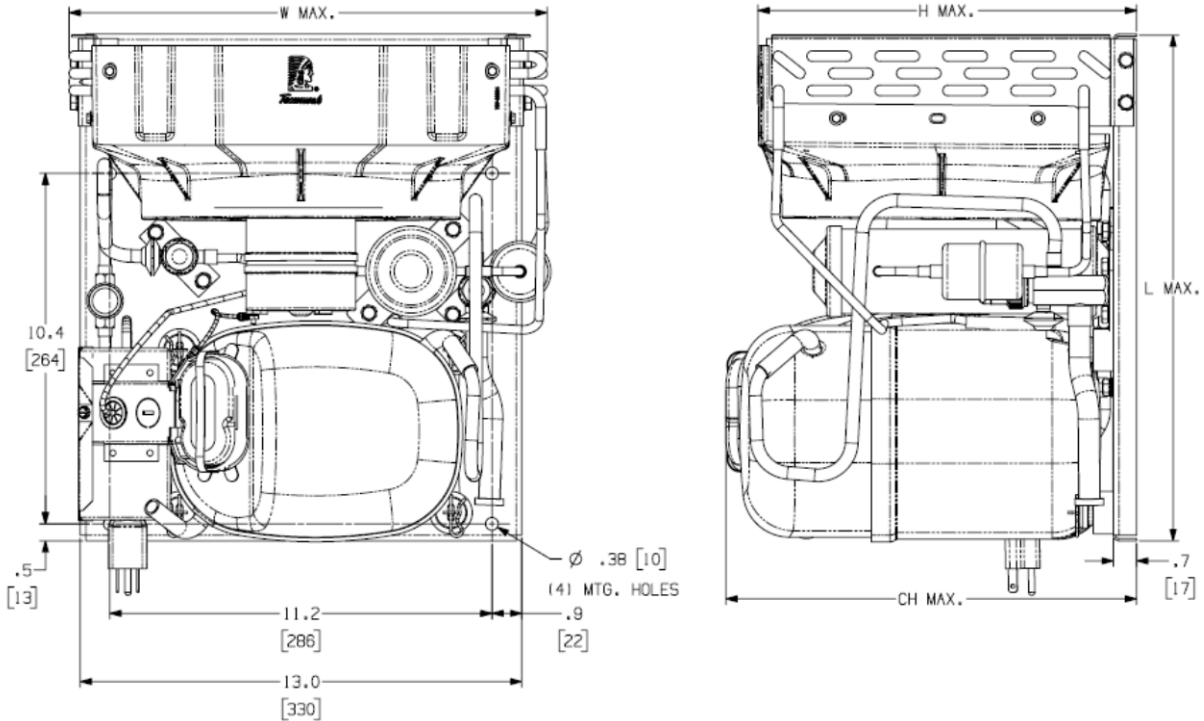




# Celseon® Air Cooled Condensing Unit

*Tecumseh*

Model: AJA7444ANAD\*  
BoM: 2G211-\*\* R-12 1/2 HP



Model	Dimensions, inches				Line Connection*		Pumpdown	Air	Oil Ch	Gr. Wt.
	L	W	H	CH	Suction	Liquid	90 °F 90%	SCFM	Oz.	Lbs.
AJA7444ANADA	15.0	14.0	11.1	11.7	3/8" S	1/4" S	N/A	185	22	62
AJA7444ANADG					5/8" S	3/8" S	2.8 lbs			64
AJA7444ANADH					5/8" S	3/8" S	N/A			62
AJA7444ANADK					3/8" S	1/4" S	N/A			62
AJA7444ANADC					5/8" S	3/8" S	2.8 lbs			64
AJA7444ANADS					5/8" S	3/8" S	N/A			62
AJA7444ANADJ					5/8" S	3/8" S	2.8 lbs			64
AJA7444ANADP					5/8" S	3/8" S	2.8 lbs			64

\* F = Flare, S = Solder, RF or RS = Rotolock with Flare or Solder Connections, C = Compression Fitting  
Factory charge: 20 PSIG Nitrogen – **MUST BE EVACUATED**

Evaporator T,		Ambient Temperatures								
		90°F			100°F			110°F		
°F	PSIG	BTUH	Watts	Cond T	BTUH	Watts	Cond T	BTUH	Watts	Cond T
0	9.2	2860	600	116	2625	620	120	2390	640	125
10	14.6	3610	700	120	3350	725	125	3090	750	131
15	17.7	4000	760	124	3725	795	129	3475	820	134
20	21.0	4400	830	127	4120	860	133	3825	900	139
25	24.6	4820	910	131	4500	940	138	4200	980	143
30	28.4	5280	985	135	4995	1030	141	---	---	---

## 60 Hz Performance

Return gas temp. 40°F, 5°F sub cooling

**Specifications/ Parts:**

<b>Unit Model</b>	<b>AJA7444ANADA</b>
<b>Unit Bill of Material</b>	<b>2G211-09</b>
Refrigeration Range	-10° F to +30° F
Design Pressure Low	150
Design Pressure High	235
Nominal Volts-Hz-Ph	208-230/60/1
Voltage Range	187 to 254
Min. Circuit Ampacity	6.5
Max. Fuse Size (amps)	15
Compressor Model	AJA7441AXD
Comp. Bill of Material	AJ530FT-434-J7
Compressor RLA/LRA	5/29
Overload	8300MRTH30
Relay	8200EMBJ93
Run Capacitor	N/A
Start Capacitor	85PS250D19
Fan Motor	810-10000
Fan Motor RLA	.29
Fan Blade	515-10002
Fan Shroud/Guard Combo	707-00004
Condenser	506-10004
Unit Drawing	DGU1971-03
Wiring Diagram	91266-01
Replacement Kit: Relay	K71-31
Replacement Kit: O/L	K90-97
Replacement Kit: St. Cap	K146-46

<b>Unit Model</b>	<b>AJA7444ANADG</b>
<b>Unit Bill of Material</b>	<b>2G211-19</b>
Receiver Tank	510-10000
Liquid Valve	56659
Suction Valve	56660
<b>Unit Model</b>	<b>AJA7444ANADH</b>
<b>Unit Bill of Material</b>	<b>2G211-29</b>
Liquid Valve	56659
Suction Valve	56660
<b>Unit Model</b>	<b>AJA7444ANADK</b>
<b>Unit Bill of Material</b>	<b>2G211-39</b>
Power Cord	85259-5
<b>Unit Model</b>	<b>AJA7444ANADC</b>
<b>Unit Bill of Material</b>	<b>2G211-59</b>
Receiver Tank	510-10000
Liquid Valve	56659
Suction Valve	56660
Power Cord	85259-5
<b>Unit Model</b>	<b>AJA7444ANADS</b>
<b>Unit Bill of Material</b>	<b>2G211-69</b>
Liquid Valve	56659
Suction Valve	56660
Power Cord	85259-5
<b>Unit Model</b>	<b>AJA7444ANADJ</b>
<b>Unit Bill of Material</b>	<b>2G211-79</b>
Receiver Tank	510-10000
Liquid Valve	56659
Suction Valve	56660
Filter Drier	71116
Sight Glass	70084
<b>Unit Model</b>	<b>AJA7444ANADP</b>
<b>Unit Bill of Material</b>	<b>2G211-89</b>
Receiver Tank	510-10000
Liquid Valve	56659
Suction Valve	56660
Power Cord	85259-5
Filter Drier	71116
Sight Glass	70084

# Electrical Diagram Page 3

