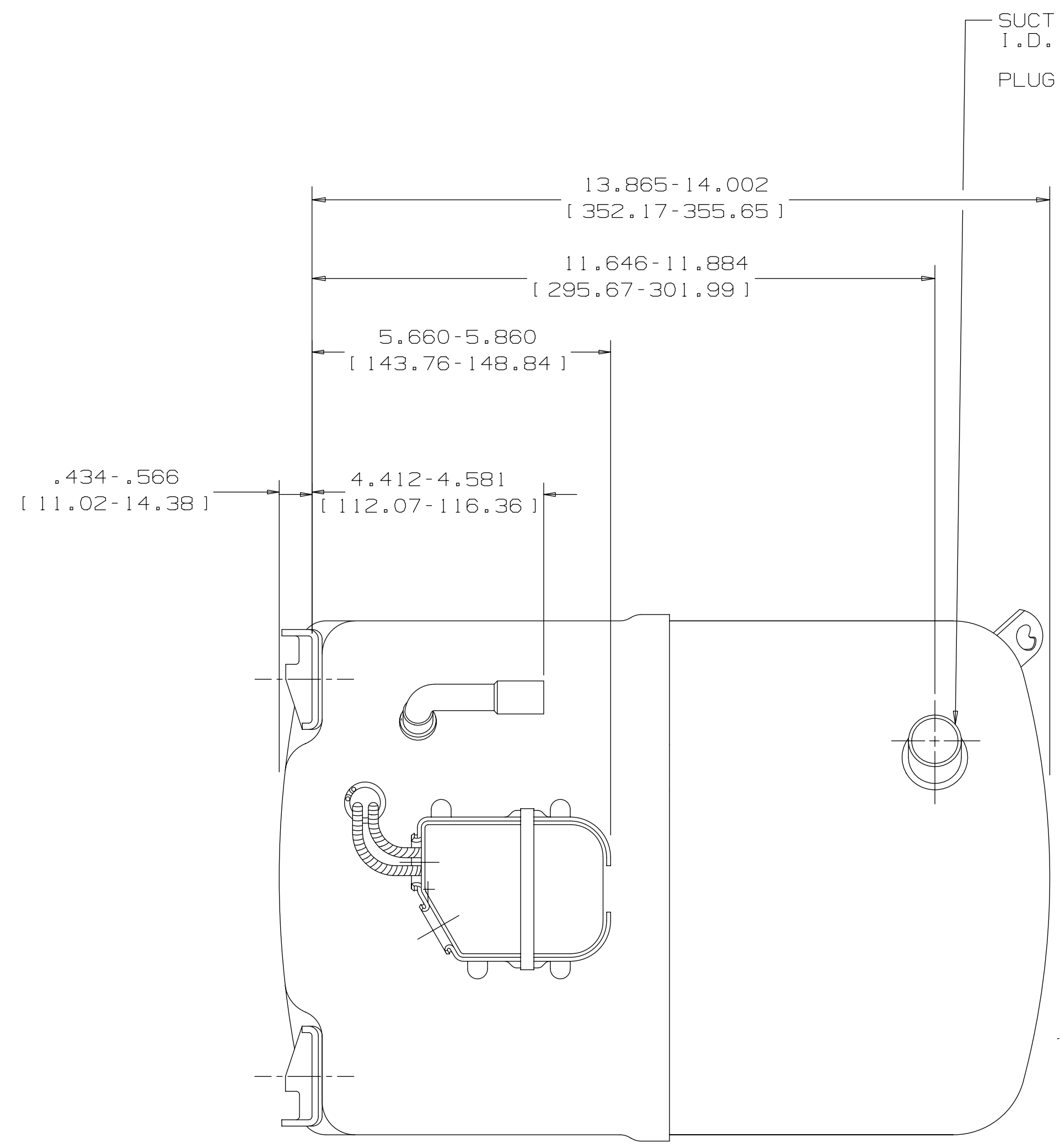
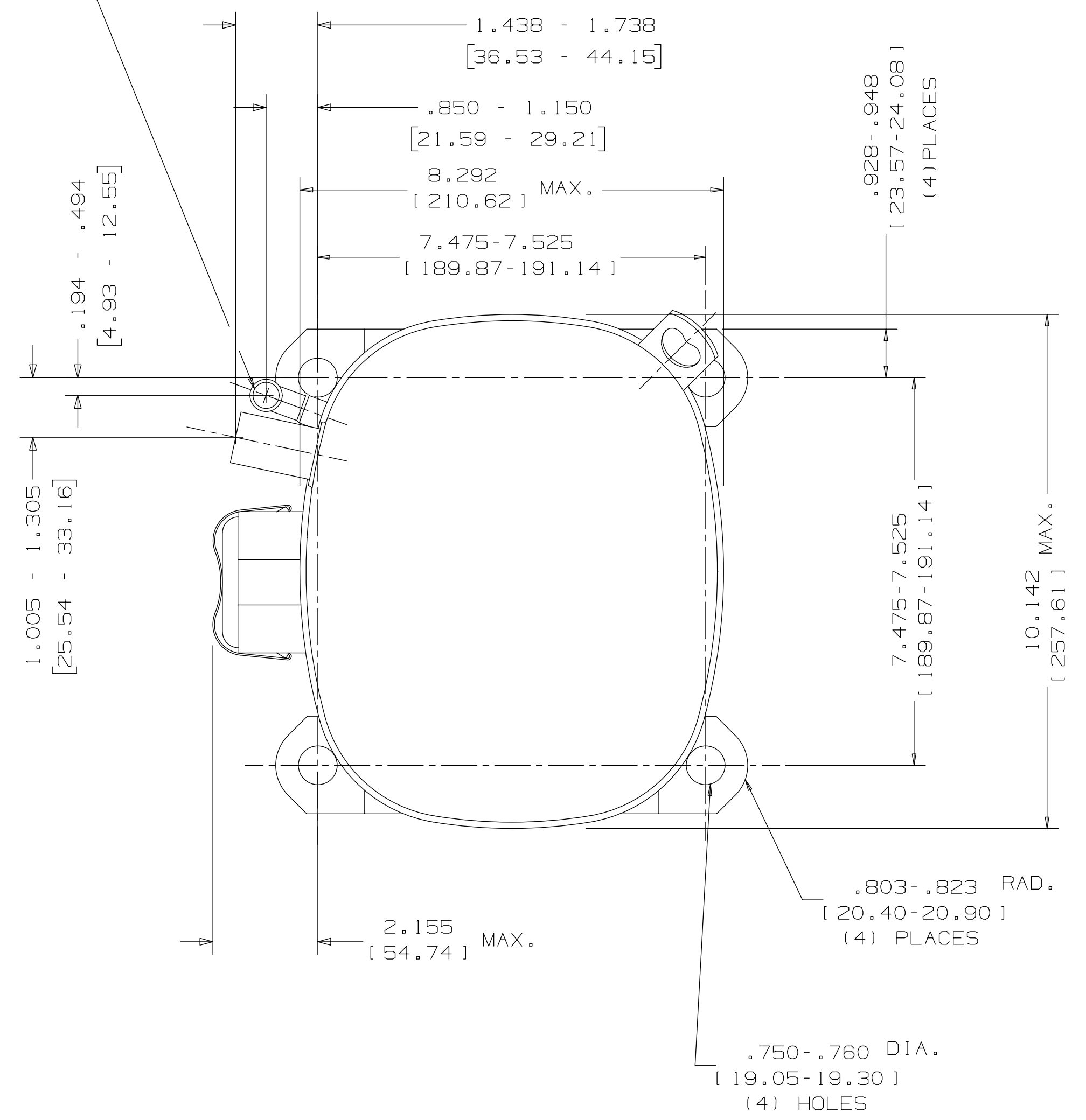


DRAWING NO.
DCAV043



SUCTION - COPPER
I.D. - .878-.883 [22.30-22.43]
× ENTIRE LENGTH
PLUG, -21

DISCHARGE - COPPER
END I.D. - .503-.508 [12.78-12.90]
× .855 MIN. [21.72 MIN.]
PLUG, -11



DIMENSIONS IN BRACKETS ARE MILLIMETERS

AV

Q.A. SYMBOLS

DIS. CODE		NAME		SALES COMPRESSOR	
DWN. BRODERICK 1/27/92		CK. RAS	APR. AMP	SCALE 1"=2"	THIS PRINT SUPERSEDES ALL PRINTS PRIOR TO
MATERIAL		TECUMSEH PRODUCTS CO. TECUMSEH, MICHIGAN		DRAWING NO.	
INTERNAL USE ONLY qt:\av\av-dcav043.r-c.prt		NOTED		DCAV043	
CK.	APR.	CK.	APR.	SCALE	THIS PRINT SUPERSEDES ALL PRINTS PRIOR TO
N	#239337-000 EXTRANEUS INFO REMOVED	RAS	AMP	1"=2"	DCAV043
CK.	APR.	CK.	APR.	SCALE	THIS PRINT SUPERSEDES ALL PRINTS PRIOR TO
M 6A	#238834-000 WAS 26223-1	RAS	AMP	1"=2"	DCAV043
CK.	APR.	CK.	APR.	SCALE	THIS PRINT SUPERSEDES ALL PRINTS PRIOR TO
K 5A	#235604-017 WAS HAB77-5	RAS	AMP	1"=2"	DCAV043
LT	LC	CH	NG	DATE	

THIS DRAWING OR PRINT SHALL BE THE PROPERTY OF TECUMSEH PRODUCTS CO. IT IS TO BE KEPT IN THE OFFICE OF THE ENGINEER OR DESIGNER AND NOT TO BE REPRODUCED OR COPIED IN ANY MANNER WITHOUT THE WRITTEN CONSENT AND APPROVAL OF THE ENGINEER OR DESIGNER. ANY INFORMATION CONTAINED HEREIN IS UNCLASSIFIED AND IS TO BE RELEASED TO THE PUBLIC WITHOUT LIMITATION. ANY INFORMATION CONTAINED HEREIN IS UNCLASSIFIED AND IS TO BE RELEASED TO THE PUBLIC WITHOUT LIMITATION. ANY INFORMATION CONTAINED HEREIN IS UNCLASSIFIED AND IS TO BE RELEASED TO THE PUBLIC WITHOUT LIMITATION.

DO NOT SCALE THIS DRAWING. ALL DIMENSIONS SHALL BE TAKEN FROM THE DRAWING. DIMENSIONS NOT SHOWN SHALL BE TAKEN FROM THE DRAWING. DIMENSIONS NOT SHOWN SHALL BE TAKEN FROM THE DRAWING. DIMENSIONS NOT SHOWN SHALL BE TAKEN FROM THE DRAWING.

TECUMSEH PRODUCTS CO.
TECUMSEH, MICHIGAN