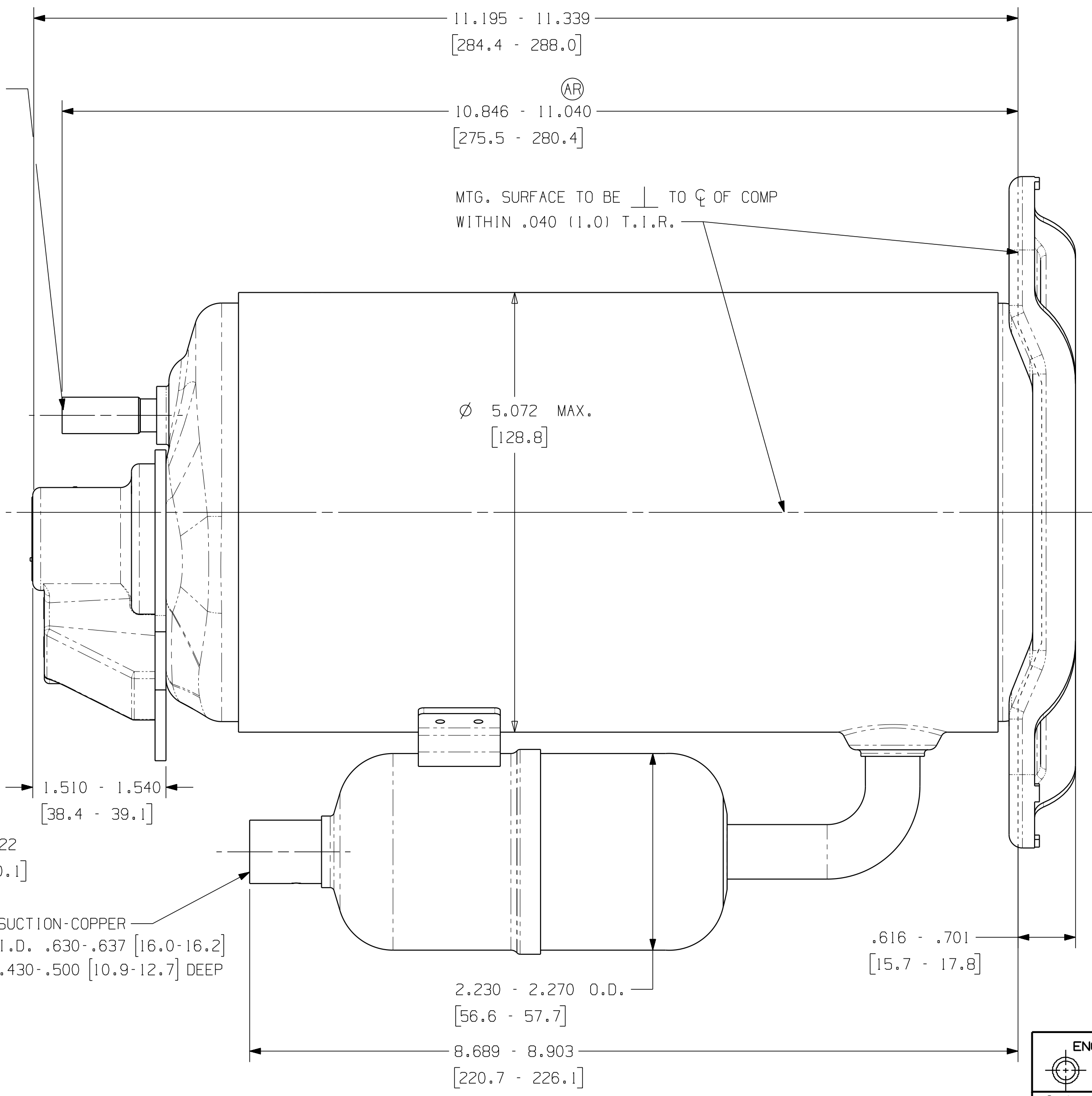
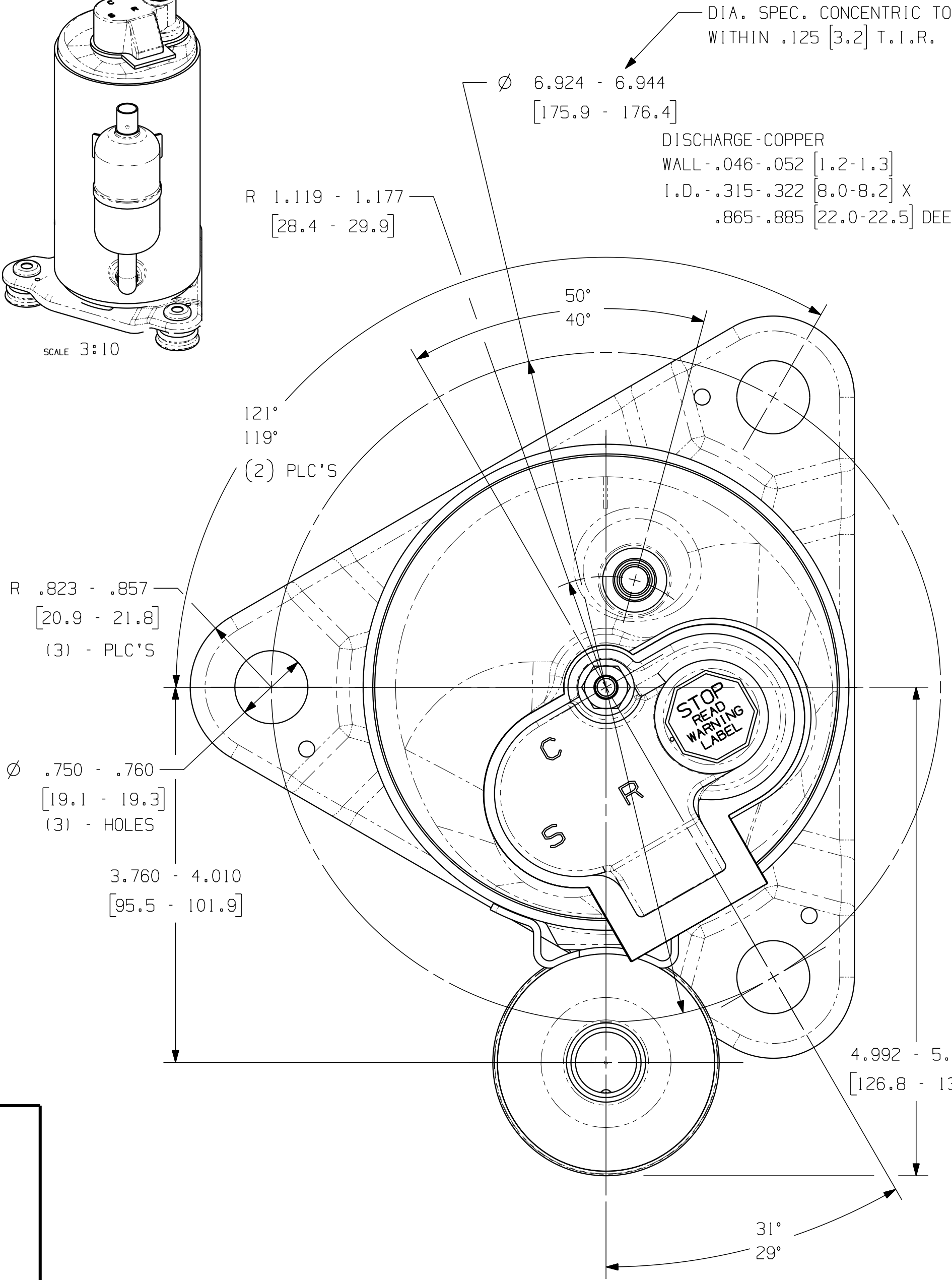


SCALE 3:10



DIMENSIONING: INCHES [MILLIMETERS] OR INCHES [MILLIMETERS]

ENGLISH

Q. A. SYMBOLS

- ★ = CATEGORY I
- ▲ = CATEGORY II
- = CATEGORY III
- = CATEGORY IV

EC12607 WAS 11.833- 11.27 REM'D CHG'S AR		DLC 24SEP07	DATE	DIS.CODE	PART NAME <b>SALES COMPRESSOR</b>	DWN. DLC 05NOV99	CK. ON FILE	APR. ON FILE	SCALE 1=1 & NOTED	THIS PRINT SUPERSEDES ALL PRINTS PRIOR TO
THIS DRAWING OR PRINT, IN WHOLE OR IN PART, IS THE PROPERTY OF TECUMSEH AND CONTAINS INFORMATION AND CONFIDENTIALITY. IT IS TO BE KEPT IN STRICTLY CONFIDENTIALITY AND NOT TO BE REPRODUCED OR DISCLOSED TO ANY OTHER PERSON OR ORGANIZATION WITHOUT THE WRITTEN CONSENT OF TECUMSEH. ANY UNAUTHORIZED REPRODUCTION OR DISCLOSURE SHALL BE DISCLOSED OR MADE AVAILABLE TO THE PUBLIC AT THE DISCRETION OF TECUMSEH. THIS DRAWING IS THE PROPERTY OF TECUMSEH AND IS TO BE KEPT IN STRICTLY CONFIDENTIALITY AND NOT TO BE REPRODUCED OR DISCLOSED TO ANY OTHER PERSON OR ORGANIZATION WITHOUT THE WRITTEN CONSENT OF TECUMSEH. ANY UNAUTHORIZED REPRODUCTION OR DISCLOSURE SHALL BE DISCLOSED OR MADE AVAILABLE TO THE PUBLIC AT THE DISCRETION OF TECUMSEH.				MATERIAL -----		TECUMSEH COMPRESSOR CO. TECUMSEH, MICHIGAN		DWG NO. <b>DCRK009</b>		
LT AR		CHANGE 24SEP07		DO NOT SCALE THIS DRAWING. ALL FERROUS MATERIALS MUST BE MAGNETIZED AS RECEIVED OR AT THE REQUEST OF ASSEMBLY.		FORMAT No. M0888-02		REVISION LEVEL: REL		